

## Food Processor

### TrinityPro Cutter Mixer 3,6 Lt with sealed lid - Variable Speed

ITEM # \_\_\_\_\_

MODEL # \_\_\_\_\_

NAME # \_\_\_\_\_

SIS # \_\_\_\_\_

AIA # \_\_\_\_\_


**602227 (K36SVS)**

Cutter Mixer 3.6 lt with stainless steel bowl, sealed lid, variable speed 500-3600 rpm, Schuko plug

### Short Form Specification

**Item No.** \_\_\_\_\_

Table top Cutter Mixer. 3,6 litres, stainless steel bowl with sealed lid, scraper and central feed hole for adding products in mid-cycle. Transparent copolyester lid. Microtoothed blade rotor. Angled blades and conical base of the bowl ensure consistent mixing. All ingredients are processed evenly and quickly thanks to a special flow generated inside the bowl. No-volt release system prevents accidental start of the appliance. All parts in contact with food are removable and Dishwasher safe. Waterproof, easy to clean, flat, soft-touch buttons. Variable speed with 9 levels (500 to 3600 rpm) for extra smooth results and emulsifying. With Schuko plug.

### Main Features

- Tabletop cutter mixer and emulsifier allowing fast chopping, mixing, mincing, griding, liquidizing and kneading.
- Includes 3,6 liter stainless steel bowl with micro-toothed blades rotor.
- Bowl/lid scraper included for uniform smooth results (emulsifying) and continuous working.
- All ingredients are processed evenly and quickly thanks to a special movement generated inside the bowl.
- Easy to clean and waterproof control panel with flat on/off button and pulse function.
- Pulse function for coarse chopping.
- All parts in contact with food are removable without the use of tools, completely dismountable and dishwasher safe.
- ErgoCert 4-star certification for ergonomic design and ease of use.
- Productivity up to 50 settings per service.
- 9 speed levels for extra smooth results and high speed emulsifying.
- Transparent lid, with sealing to prevent leakage and with funnel shaped hole, to add ingredients during use.

### Construction

- Food safety assured in accordance to European directives and UK legislation. In addition, materials in contact with food, are BPA-free.
- Product safety conform to European directives, UK legislation and international health and safety standards.
- Variable speed: 500 - 3600 rpm.
- Motor power: 750 Watt.
- Bowl in AISI 304 stainless steel.
- Micro-toothed blades in 420 AISI stainless steel and ergonomic scraper in resistant composite material to ensure consistent mixing.
- compact design, easy to move and store.
- IPX5 (IP55) waterproof, flat, touch-control panel.
- Main switch ON/OFF on the back of the appliance.
- Asynchronous industrial motor with no brushes for high reliability and quiet functioning, stainless steel motor shaft.

**APPROVAL:** \_\_\_\_\_

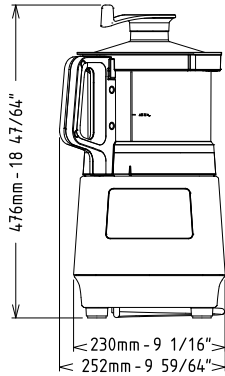
**Included Accessories**

- 1 of Microtoothed blade rotor for 3.6lt Cutter Mixer PNC 650233
- 1 of Stainless steel bowl for 3.6lt Cutter Mixer PNC 650235
- 1 of Scraper for 3.6lt Cutter Mixer bowl PNC 650236
- 1 of Transparent lid for 3,6lt Cutter Mixer bowl with sealing and scraper PNC 653862

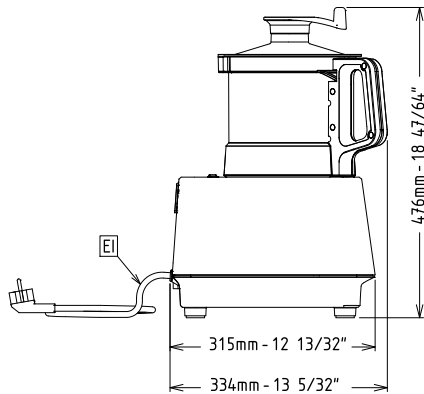
**Optional Accessories**

- Transparent lid for 2,6lt Cutter Mixer bowl PNC 650117
- Transparent lid without sealing for 3,6lt Cutter Mixer bowl (1 speed models) PNC 650118
- Microtoothed blade rotor for 2.6lt Cutter Mixer PNC 650226
- Smooth blade rotor for 2.6lt Cutter Mixer PNC 650227
- Stainless steel bowl for 2,6lt Cutter Mixer PNC 650228
- Transparent copolyester bowl for 2,6lt Cutter Mixer PNC 650229
- Scraper for 2.6lt Cutter Mixer bowl PNC 650230
- Stainless steel bowl for 2,6lt Cutter Mixer, microtoothed rotor, lid with scraper PNC 650231
- Microtoothed blade rotor for 3.6lt Cutter Mixer PNC 650233
- Smooth blade rotor for 3.6lt Cutter Mixer PNC 650234
- Stainless steel bowl for 3.6lt Cutter Mixer PNC 650235
- Scraper for 3.6lt Cutter Mixer bowl PNC 650236
- Transparent bowl for 2,6lt cutter mixer, microtoothed rotor, lid with scraper PNC 650245
- Transparent lid for 3,6lt Cutter Mixer bowl with sealing and scraper PNC 653862
- Stainless steel bowl for 3,6lt Cutter Mixer, microtoothed rotor, sealed lid with scraper PNC 653864

Front

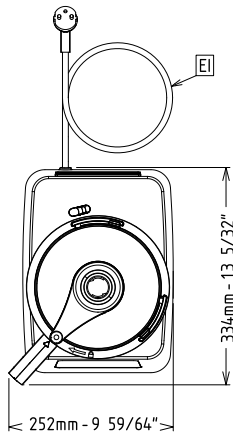


Side



EI = Electrical inlet (power)

Top


**Electric**
**Supply voltage:**

602227 (K36SVS)

220-240 V/1N ph/50/60 Hz

**Electrical power max.:**

0.75 kW

**Total Watts:**

0.75 kW

**Capacity:**
**Performance (up to):**
**Capacity:**

3.6 litres

**Key Information:**
**External dimensions, Width:** 585 mm

**External dimensions, Depth:** 334 mm

**External dimensions, Height:** 476 mm

**Shipping weight:** 17 kg

**Meat mincing capacity:** 0 kg

**Mayonnaise preparation capacity:** 0 kg

**Pastry preparation capacity:** 0 kg